

Solar

Chameleon

UNIVERSAL SOLAR PANEL BRACKET



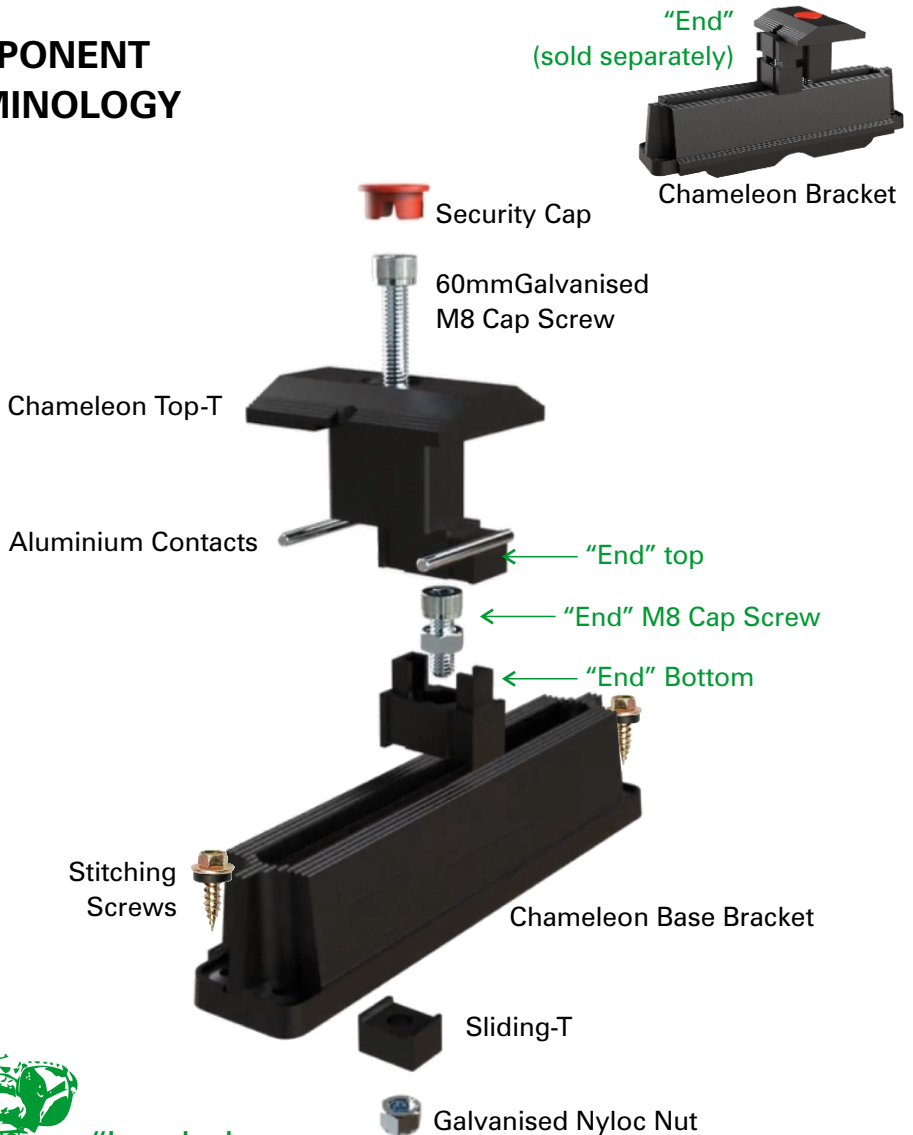
INSTALLATION MANUAL





INSTALLATION MANUAL

COMPONENT TERMINOLOGY



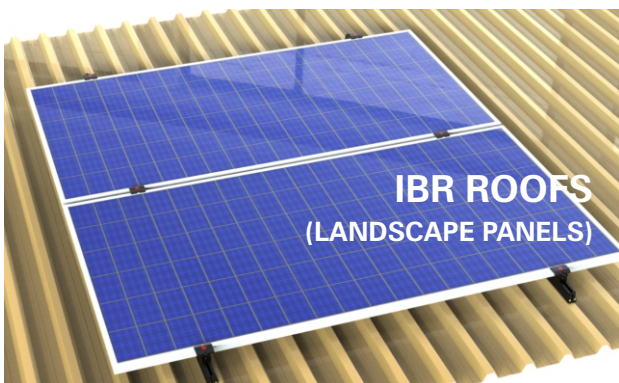
"Loaded
with tech..."





INSTALLATION MANUAL

USES / APPLICATIONS



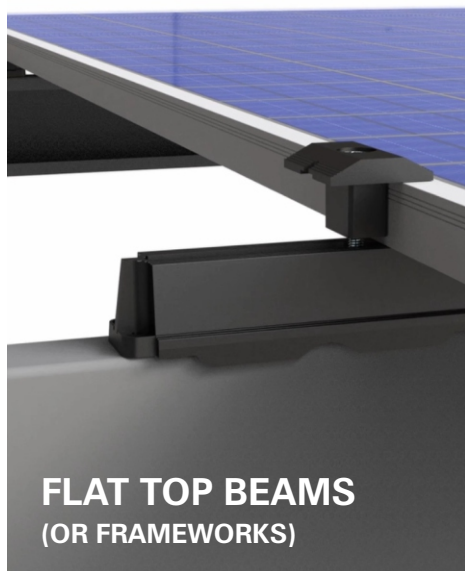
IBR ROOFS
(LANDSCAPE PANELS)



IBR ROOFS
(PORTRAIT PANELS)



CORRUGATED ROOFS
(PORTRAIT PANELS)



FLAT TOP BEAMS
(OR FRAMEWORKS)



"Adaptability?
... Oh yesss"

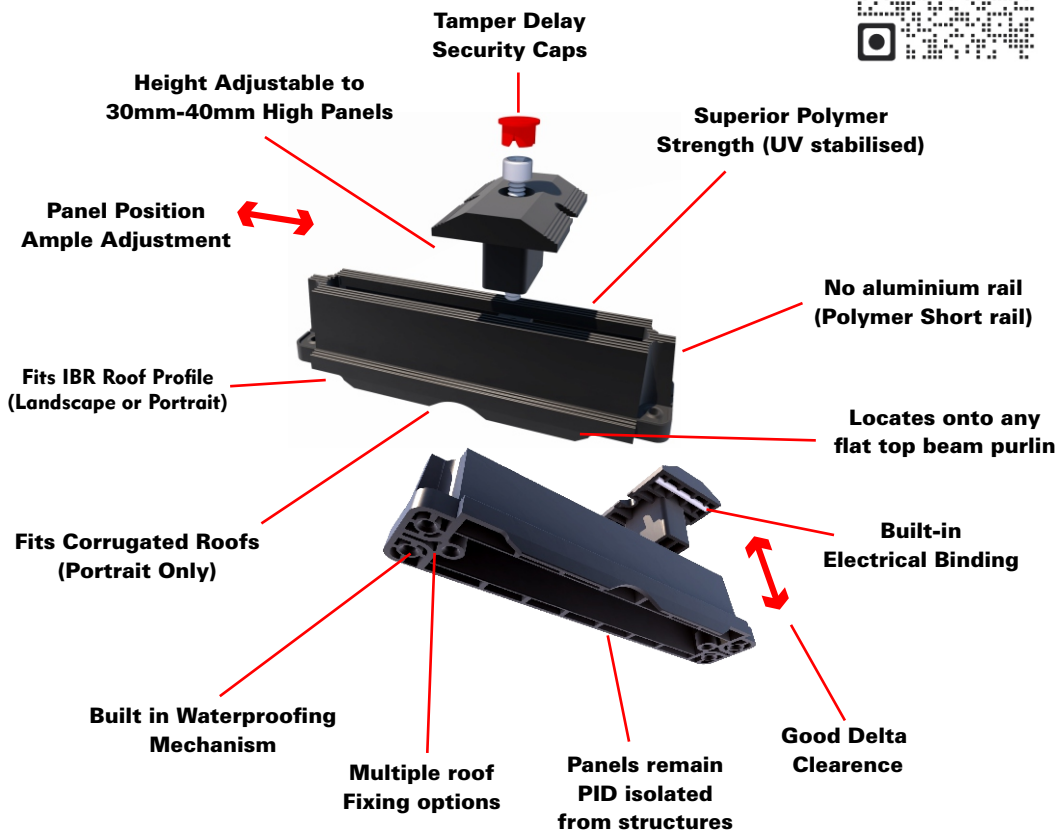


INSTALLATION MANUAL

FEATURES

<https://youtu.be/7xvEKkZyul4>

or scan QR



10 Year guarantee against polymer breaking.*

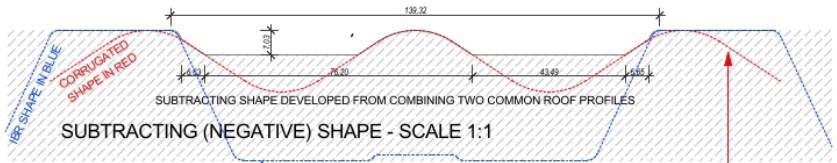
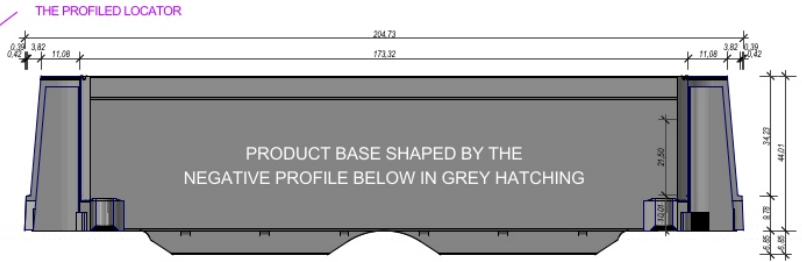
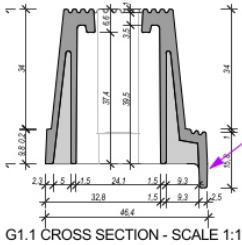
“Seriously strong.”

*Excluding obvious misuse/ abuse.

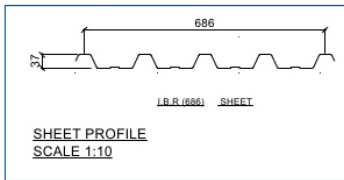


INSTALLATION MANUAL

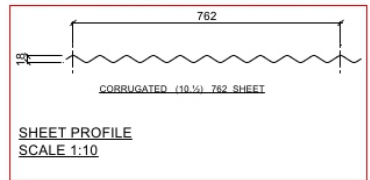
PATENTED LOCATOR Application A2024/00091



TYPICAL IBR ROOF SHEETING PROFILE AS PER GRS
(GLOBAL ROOFING SOLUTIONS):



TYPICAL CORRUGATED S-PROFILE ROOF SHEETING
PROFILE AS PER GRS (GLOBAL ROOFING SOLUTIONS):



"A winning design!"

Patent through:
Adams & Adams

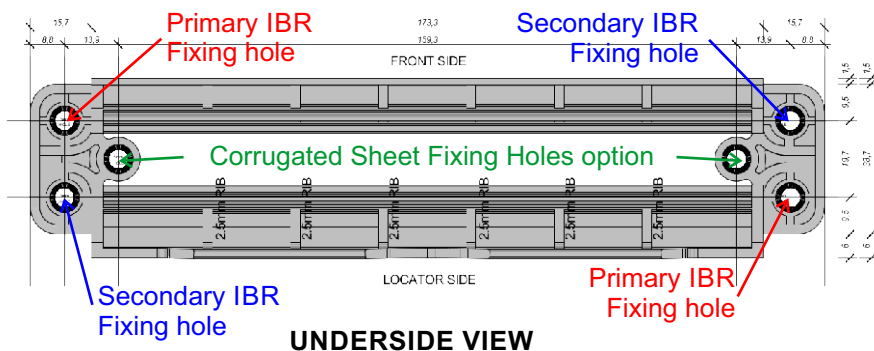


INSTALLATION MANUAL

FIXING OPTIONS



Each Chameleon solar bracket is provided with 2x Stitching Screws with rubber seals. These two screws are sufficient where roof sheets are at least 0,5mm thick and in an good strong condition. At the careful inspection and conservative discretion of the installer where IBR sheeting is aged, installations may be improved by adding an additional two stitching screws. When using 2 screws, fix in a cross-over fashion.



UNDERSIDE VIEW

Where there may be the slightest doubt about the integrity of roof sheeting, pull tests are to be conducted, and the fixing strategy to be adjusted accordingly. The installer may choose to utilise long roof screws to fix right down into the roof structure below the roof sheeting. Careful alignment would then be required.



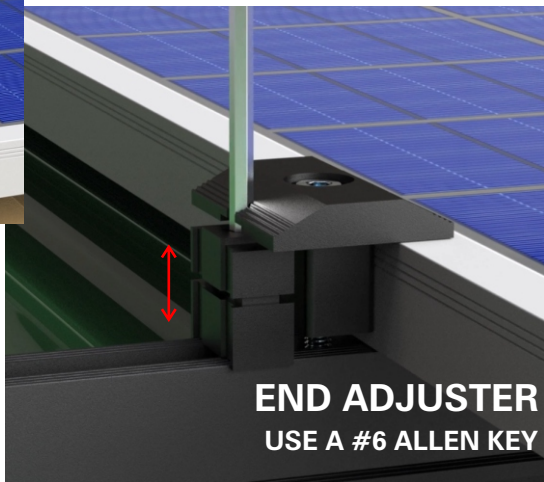
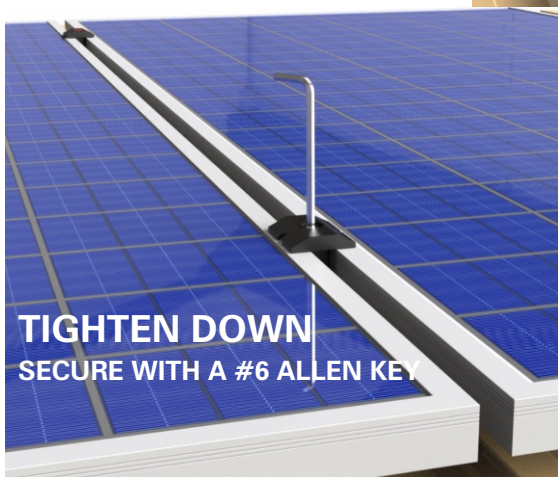
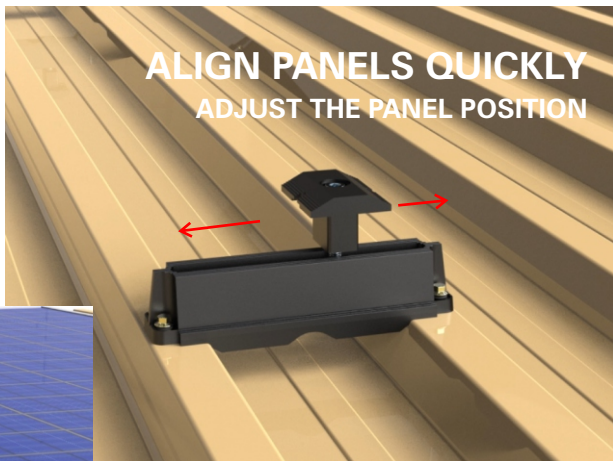
“Smart thinking”





INSTALLATION MANUAL

ADJUSTMENT



ANY PANEL HEIGHT: 30-40mm



“How easy!”

CHAMELEON

UNIVERSAL SOLAR PANEL BRACKETS™



IBR SHEETING
(Landscape & Portrait)

CORRUGATED SHEETING (Portrait)

BEAMS & FRAMEWORKS



www.chameleonsolar.co.za



For Technical Enquiries Contact

EMAIL. sales@connect-it.cc

TEL. 012 004 0774

WEB. www.chameleonsolar.co.za

EMAIL: design@connect-it.one



Address

Display Gardens, 10 Sarel Baard
Cres, Rooihuiskraal, Centurion, 0154